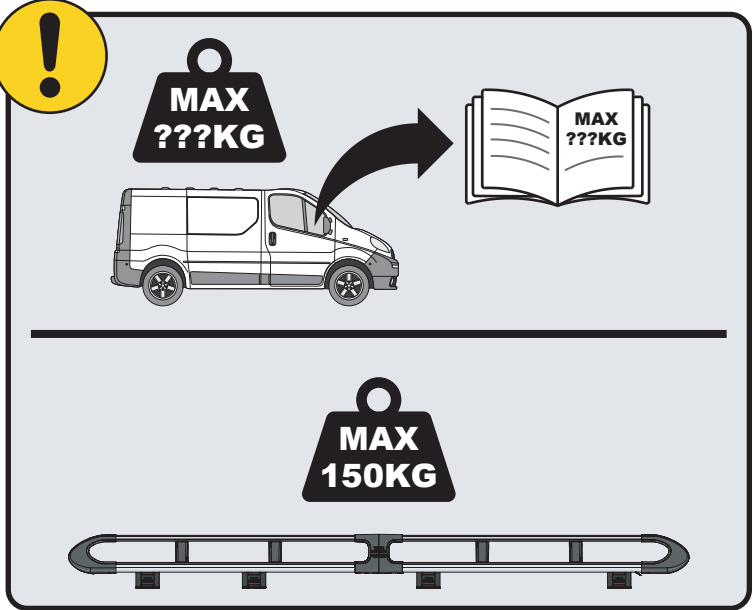
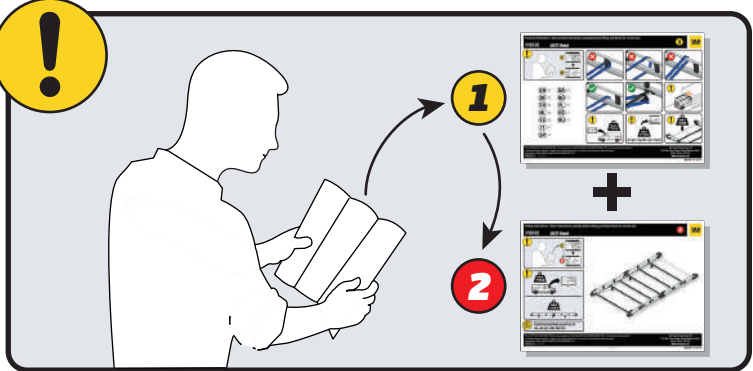


IN8273

ULTI Rack+



 Customercare@van-guard.co.uk
UK +44 (0) 1392 368 351

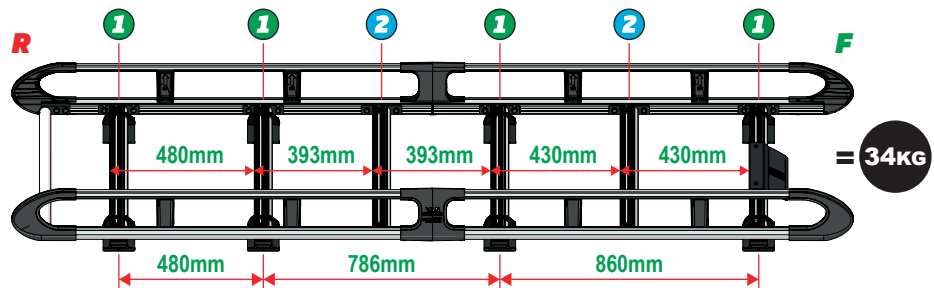
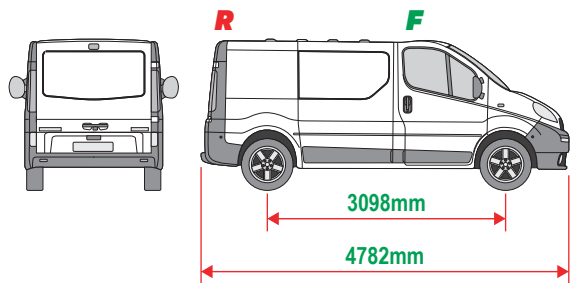


This FITTING INSTRUCTION is the property of VAN GUARD ACCESSORIES LTD. and must not be used for manufacturing purposes, copied nor communicated in any way to third parties without written permission from VAN GUARD ACCESSORIES LTD.
IN8273_A (CN:NR)

Van Guard Accessories Ltd
Fair Oak Close, Exeter Airport Business Park,
Exeter, Devon, EX5 2UL
www.van-guard.co.uk

VGUR-202

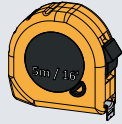
Nissan Primastar: 2002-2014
Renault Trafic: 2002-2014
Vauxhall Vivaro: 2002-2014
L1H1 (SWB)
Tailgate



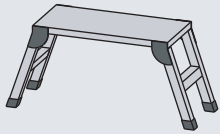
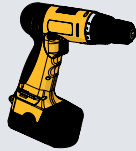
SUPPLIED COMPONENTS - CHECK ALL PARTS ARE PRESENT AND CORRECT BEFORE PROCEEDING (1 OF 2)

TOOLS REQUIRED

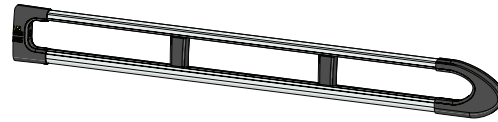
10MM X1



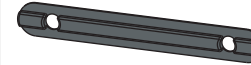
13MM X1



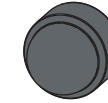
AS3537 X2
(2600 / A)



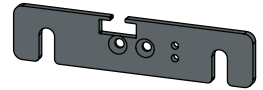
MA6118 X12



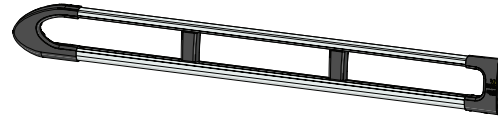
FX4241 X28



ME1622 X2



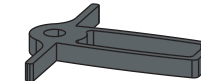
AS3536 X2
(2600 / B)



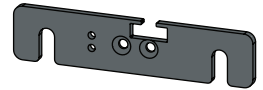
FX4008 X1



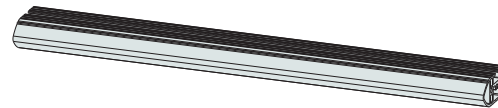
MA6145 X1



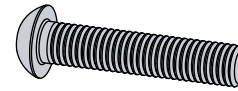
ME1623 X2



ME1628 X6
(1554mm)



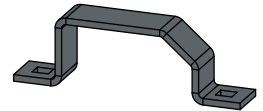
FX4001 X2
(M8X40)



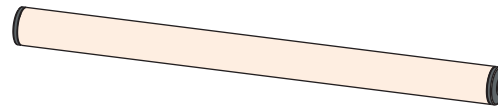
FX4235 X24
(M5X25)



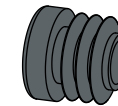
ME0203 X8



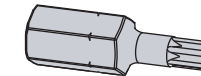
AS3160 X1
(1540mm)



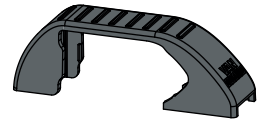
MA6007 X4



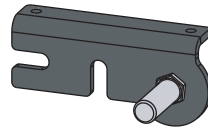
FX4248 X1
(T25)



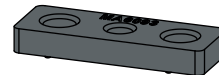
MA6065 X8



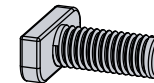
AS3590 X1



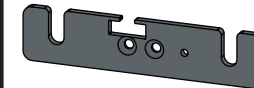
MA6093 X14



FX4239 X28
(M8X20)



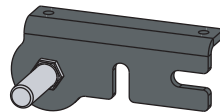
ME1620 X4



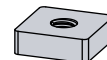
FX4016 X26
(M6)



AS3591 X1



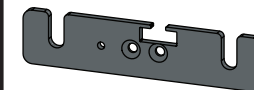
ME0316 X14



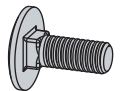
FX4240 X28
(M8)



ME1621 X4



FX4042 X26
(M6X16)



SUPPLIED COMPONENTS - CHECK ALL PARTS ARE PRESENT AND CORRECT BEFORE PROCEEDING (2 OF 2)

ME0355 X1

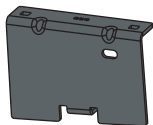


FX4017 X16

(M6)

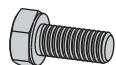


ME0690 X1

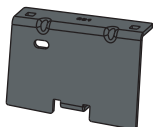


FX4061 X2

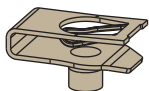
(M6X14)



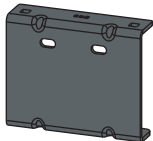
ME0691 X1



FX4126 X14



ME0692 X6



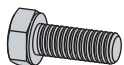
FX4010 X16

(M6)



FX4012 X14

(M6X16)



01

1L



X4

1R



X4



2L



X2

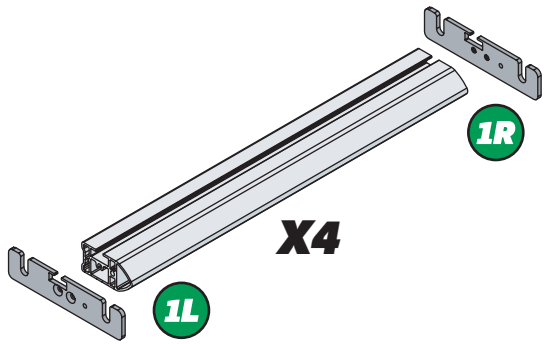
2R



X2

02

1R

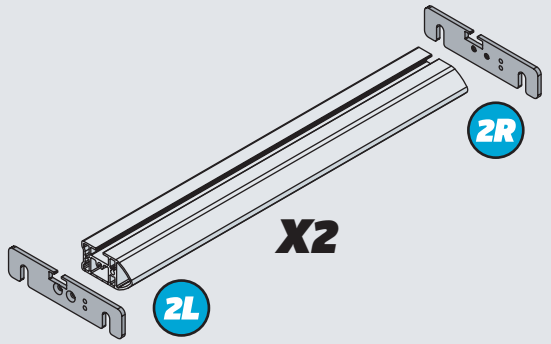


X4

1L



2R



X2

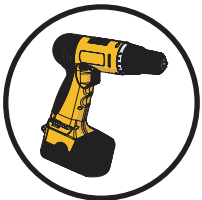
2L



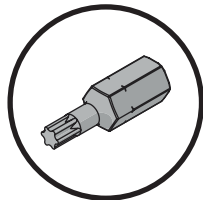
03

01

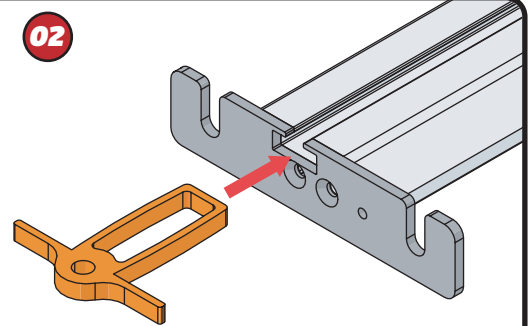
FX4248



+



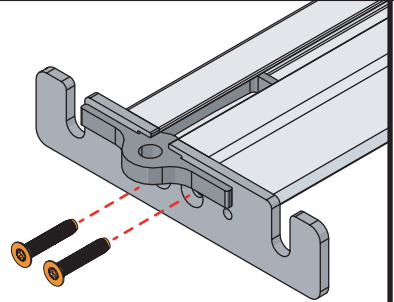
02



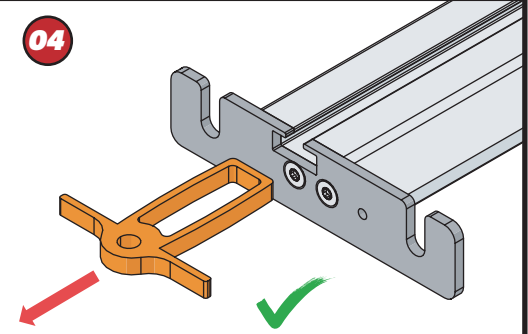
03



11Nm



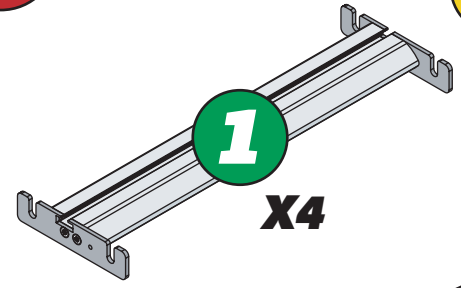
04



04

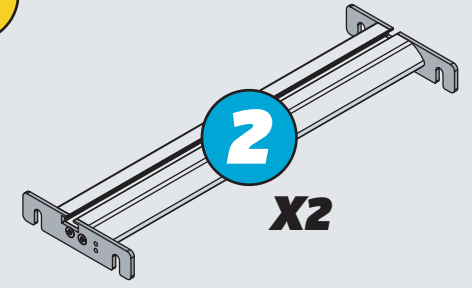


1

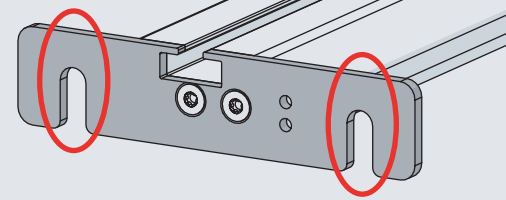
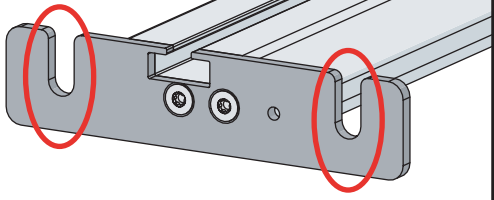


X4

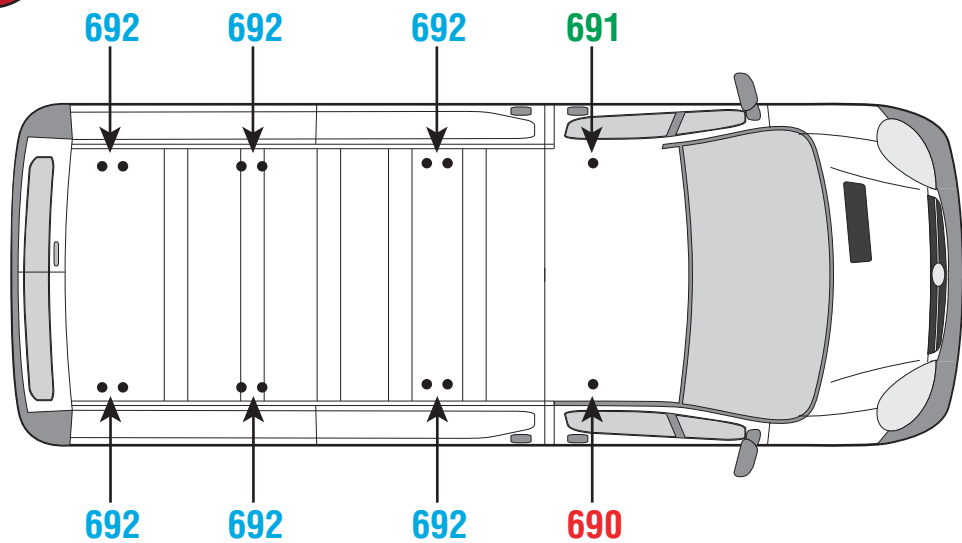
2



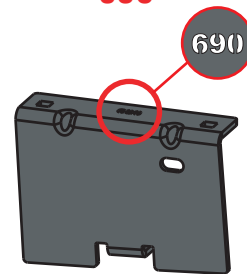
X2



05

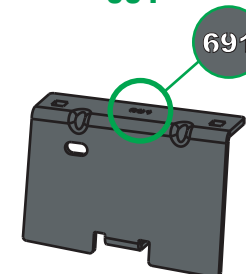


690



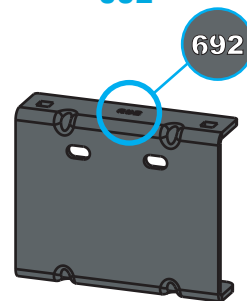
690

691



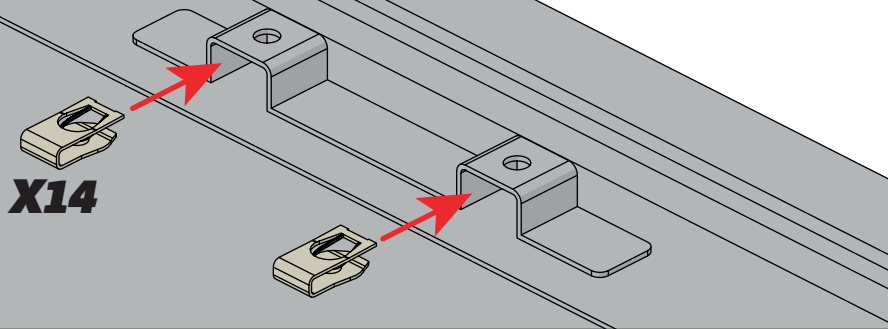
691

692



692

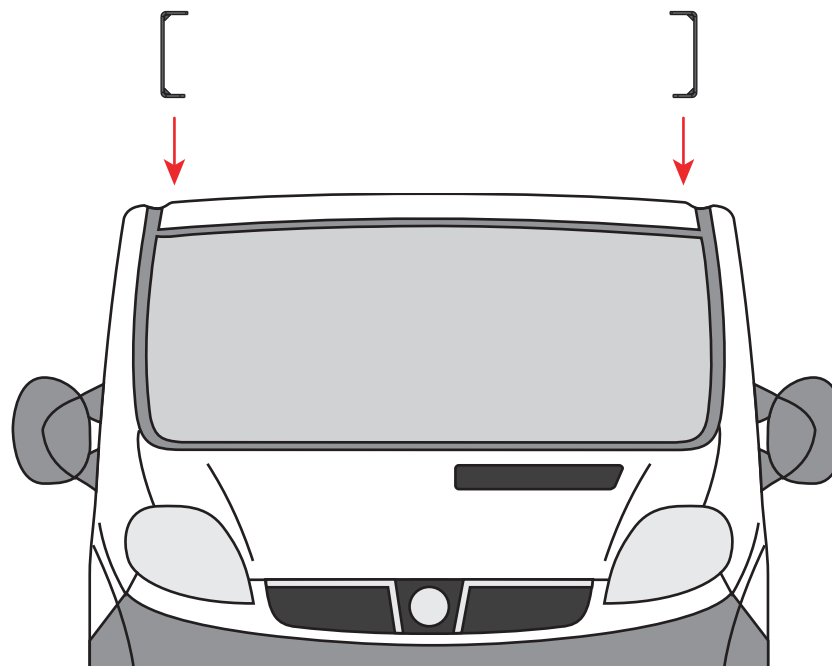
06



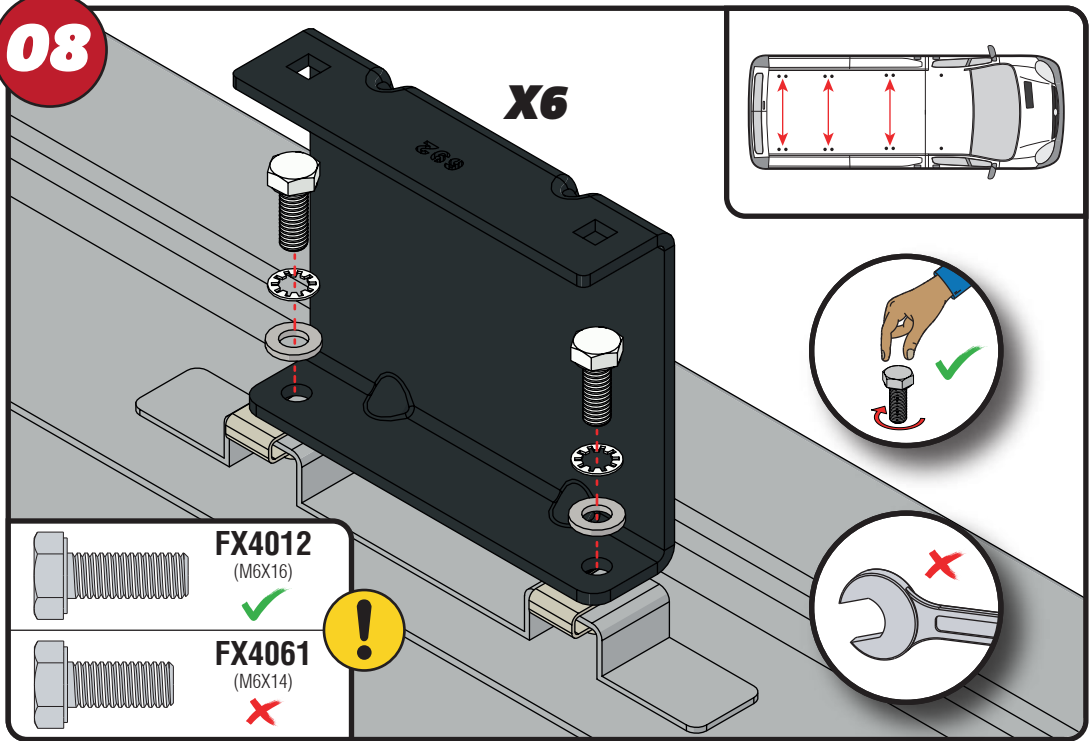
X14



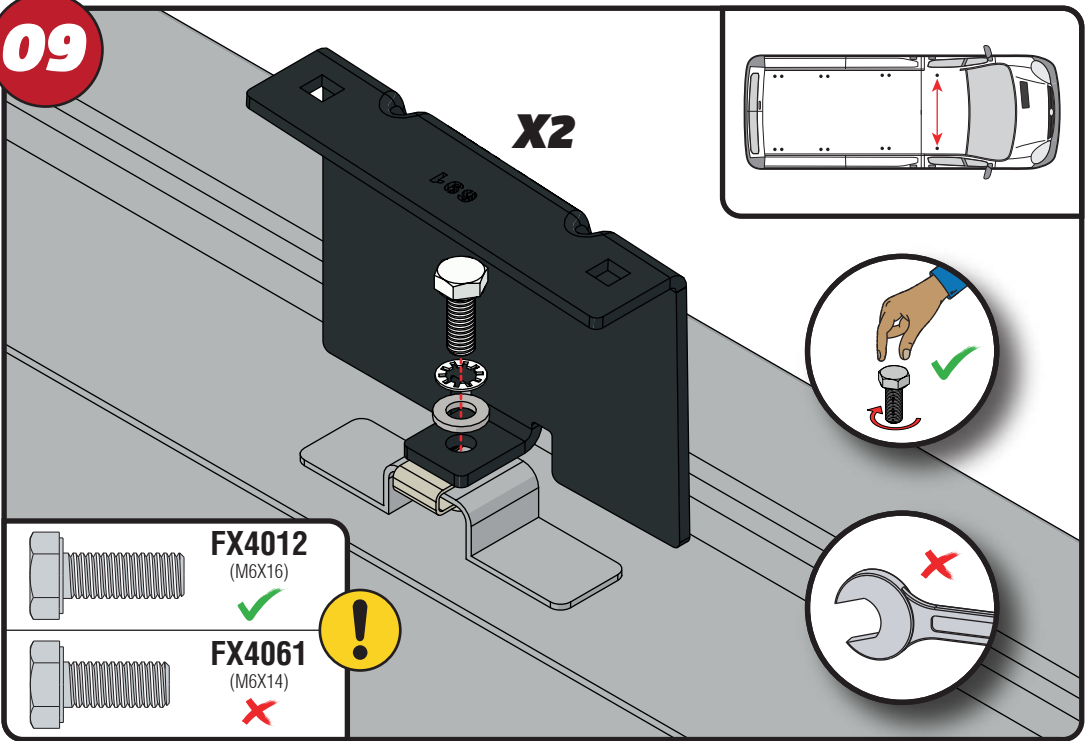
07



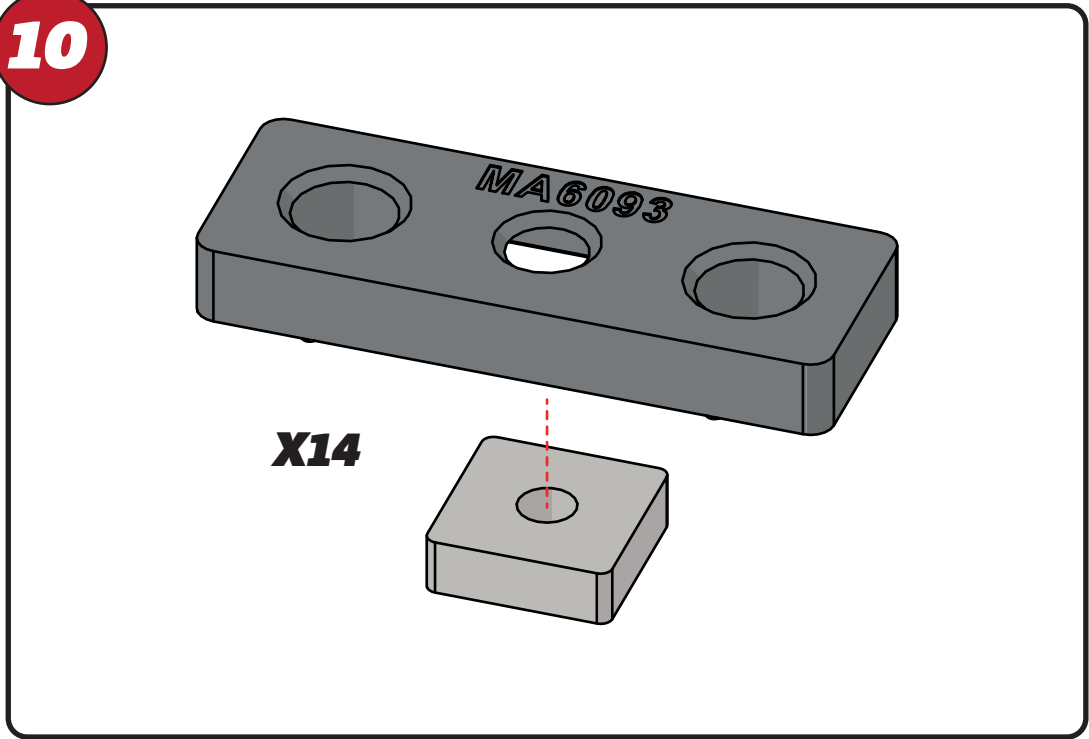
08



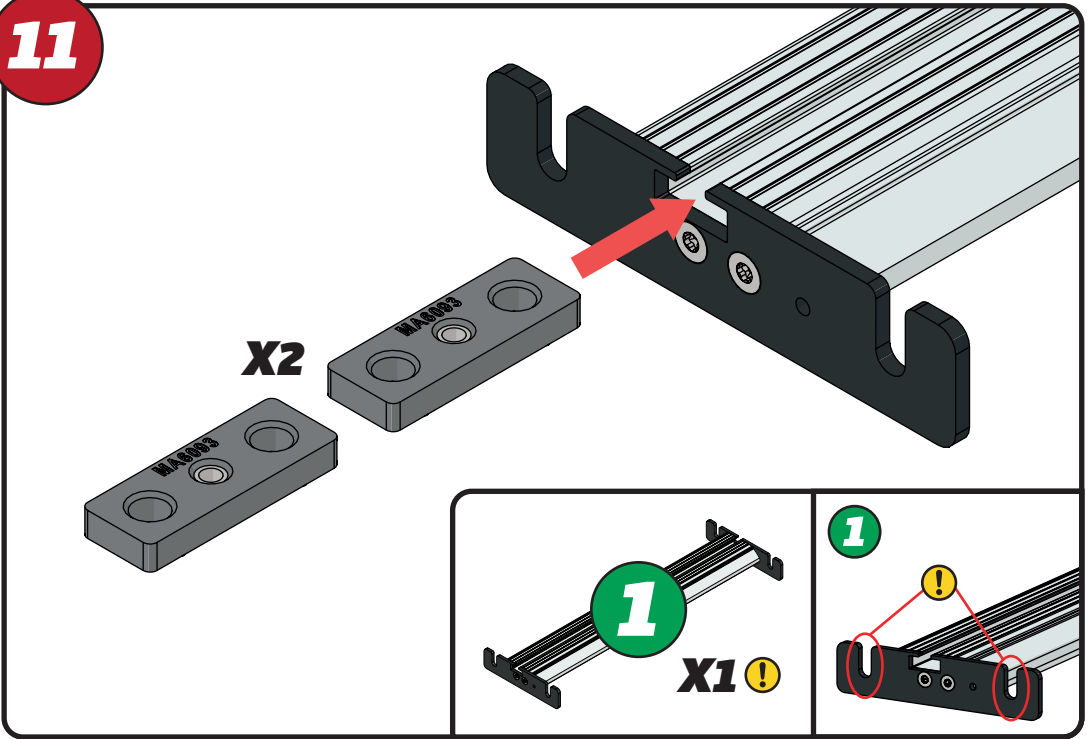
09

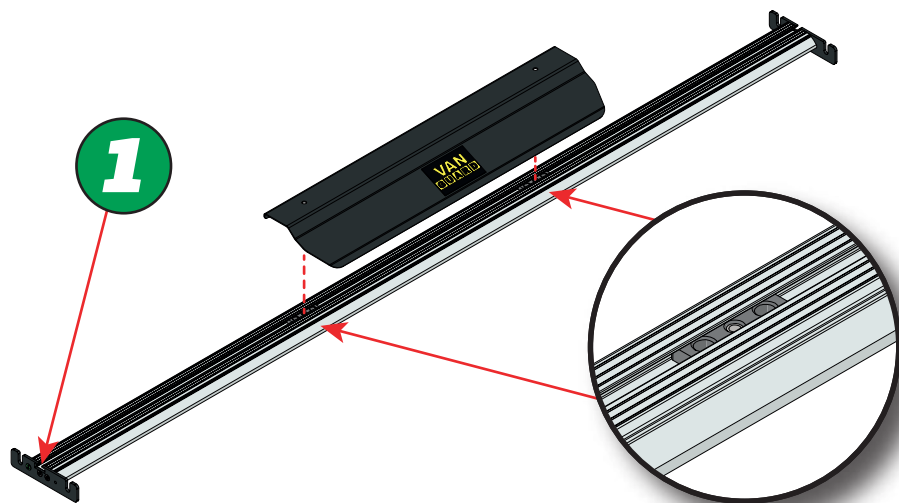
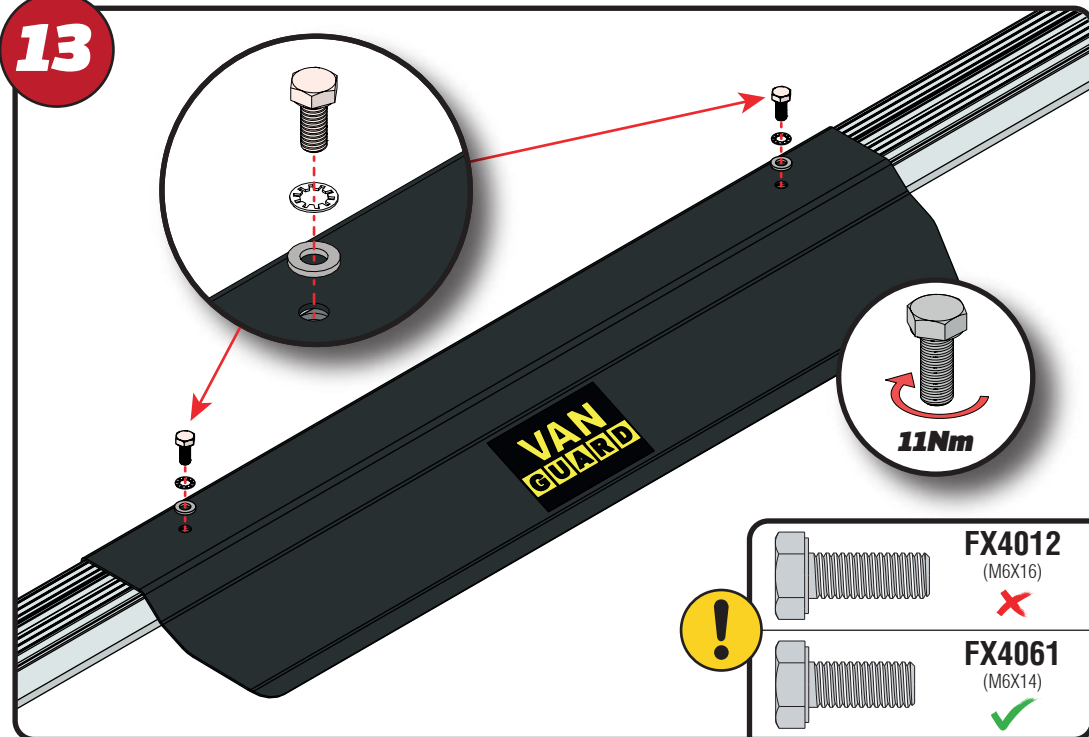
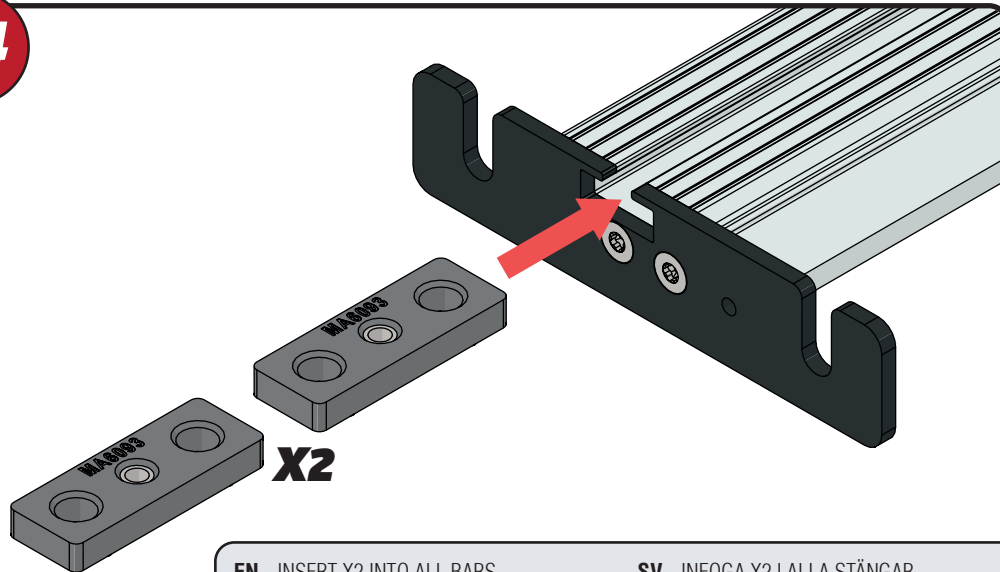


10

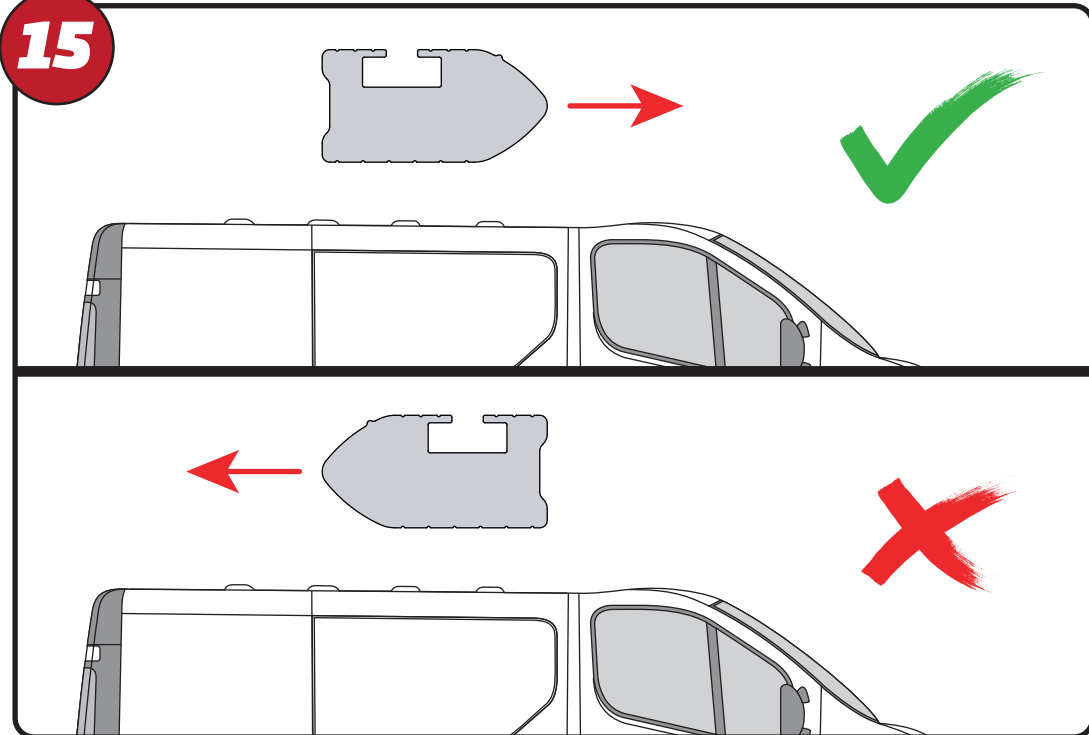


11

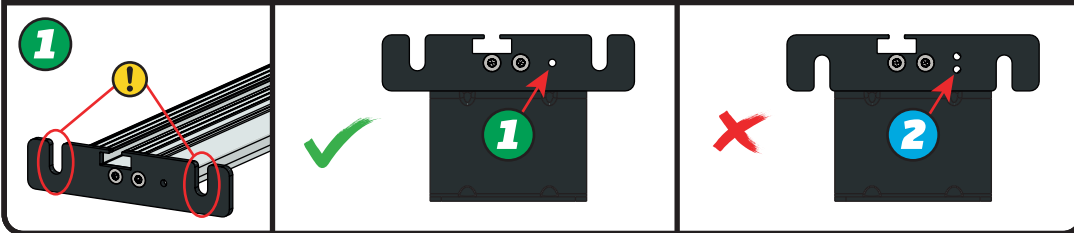
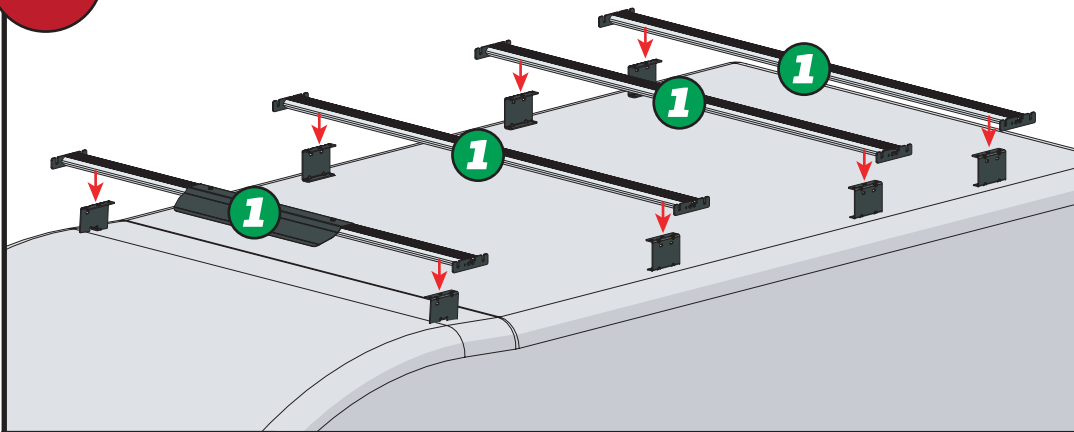


12**13****14**

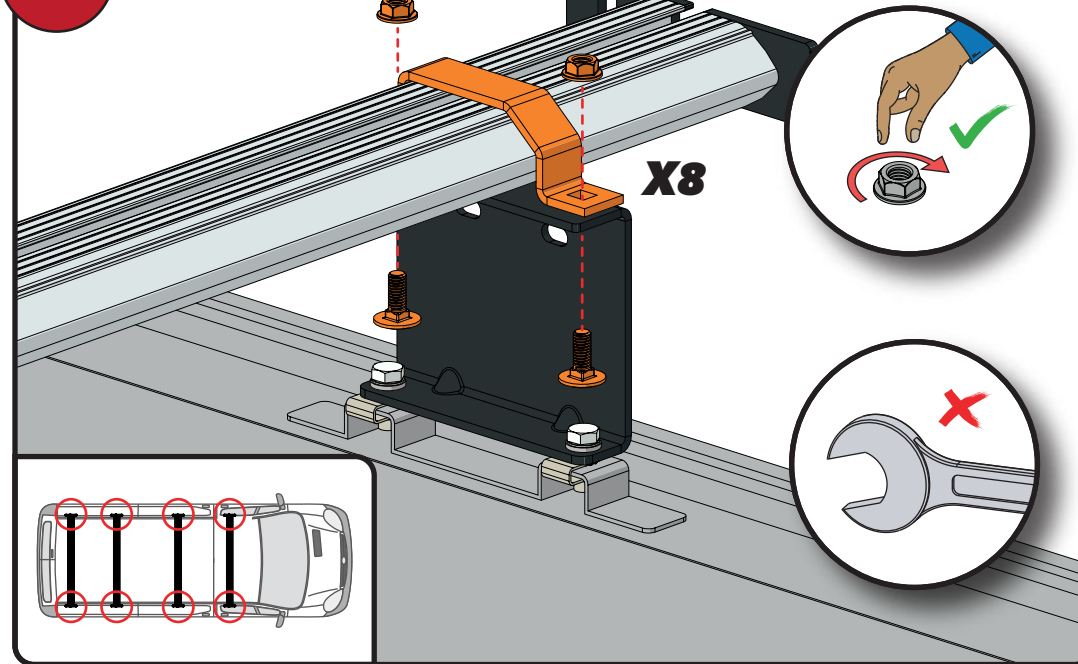
EN - INSERT X2 INTO ALL BARS
DE - X2 IN ALLE STANGEN EINFÜGEN
FR - INSÉRER X2 DANS TOUTES LES BARRES
NL - PLAATS X2 IN ALLE BARS
ES - INSERTAR X2 EN TODAS LAS BARRAS
IT - INSERIRE X2 IN TUTTE LE BARRE
SV - INFOGA X2 I ALLA STÅNGAR
DA - INDSÆT X2 I ALLE STÆNGER
NO - SETT X2 INN I ALLE TAKSTENGER
PL - WSTAW X2 DO WSZYSTKICH PRĘTÓW
CS - VLOŽTE X2 DO VŠECH TYČÍ

15

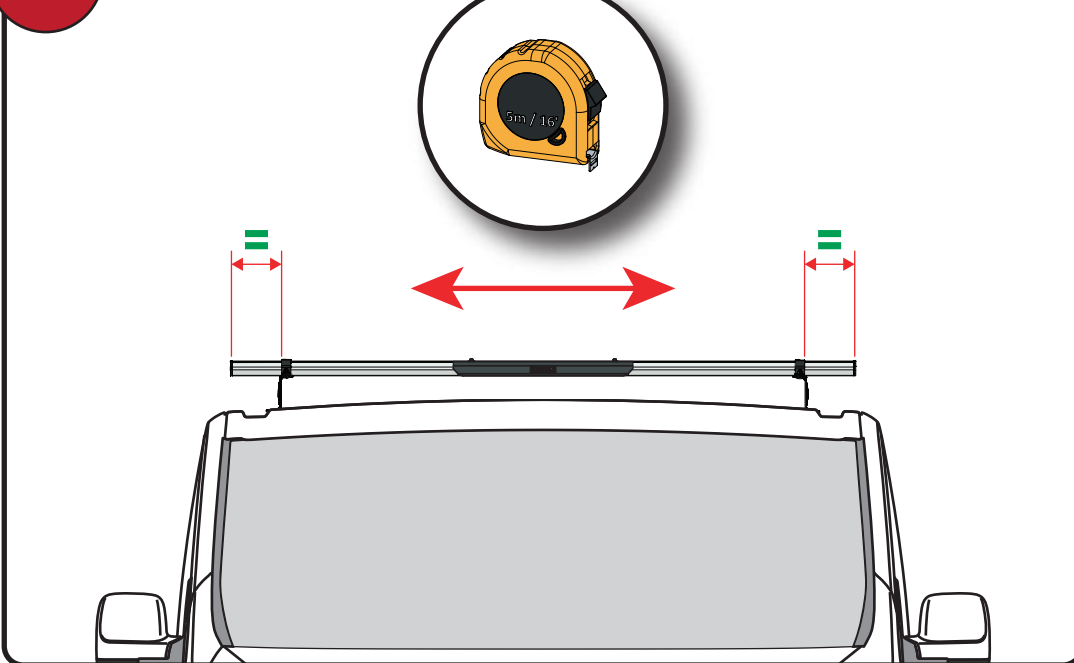
16



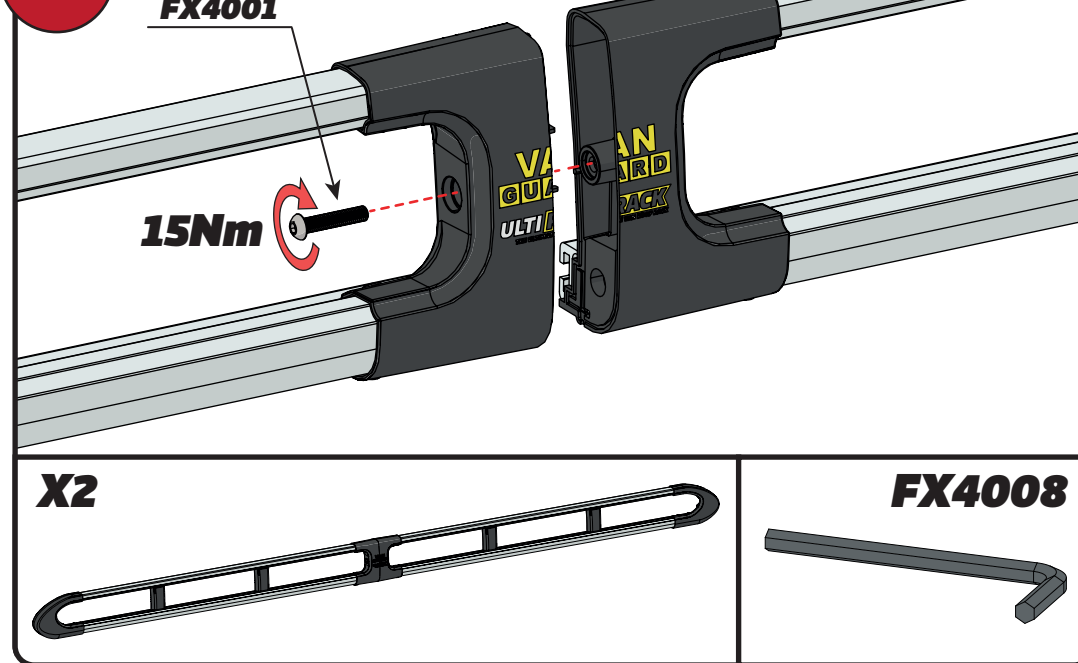
17



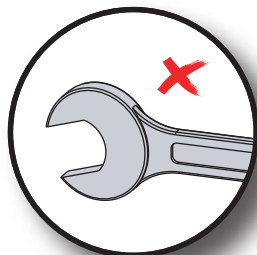
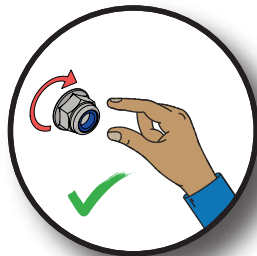
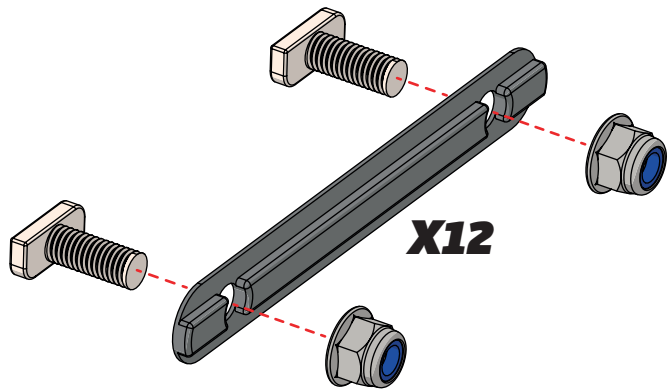
18



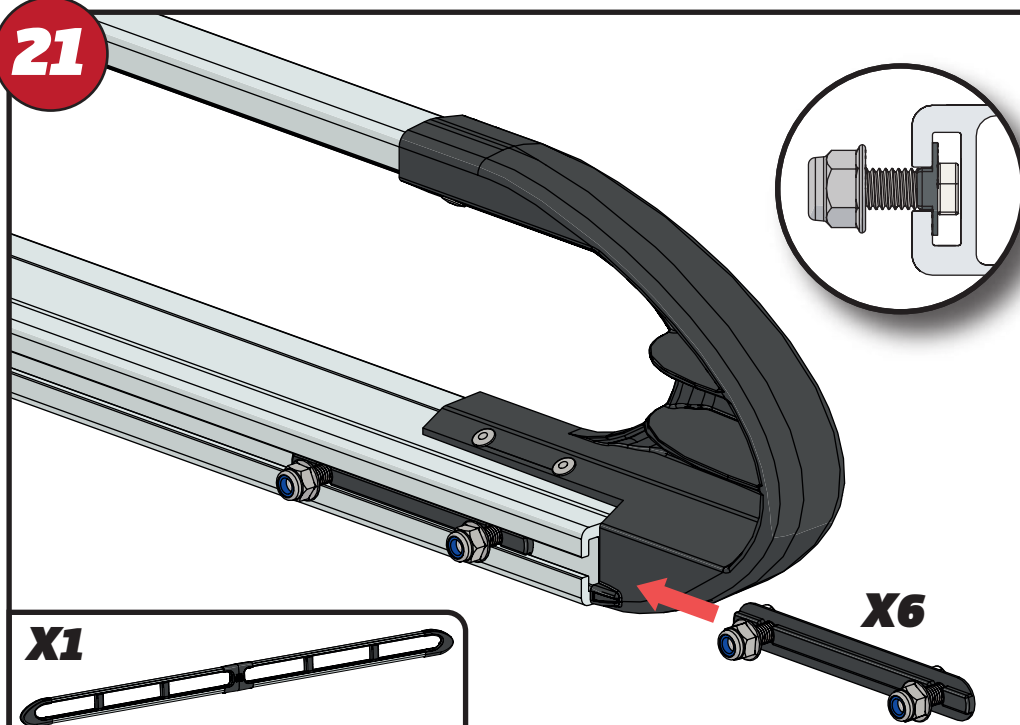
19



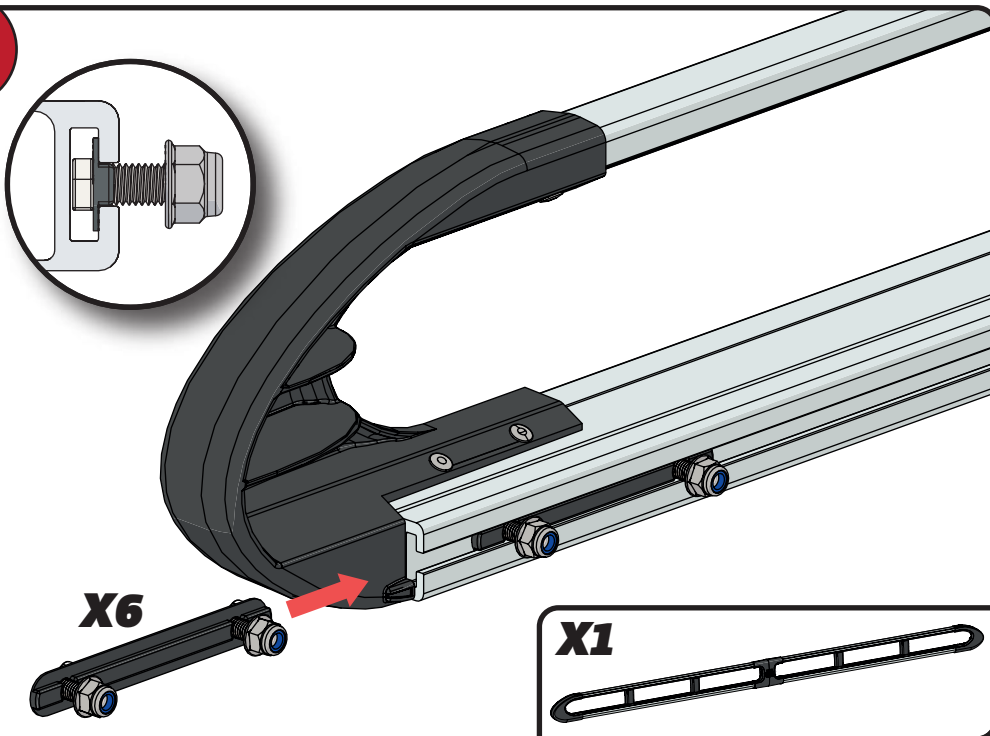
20



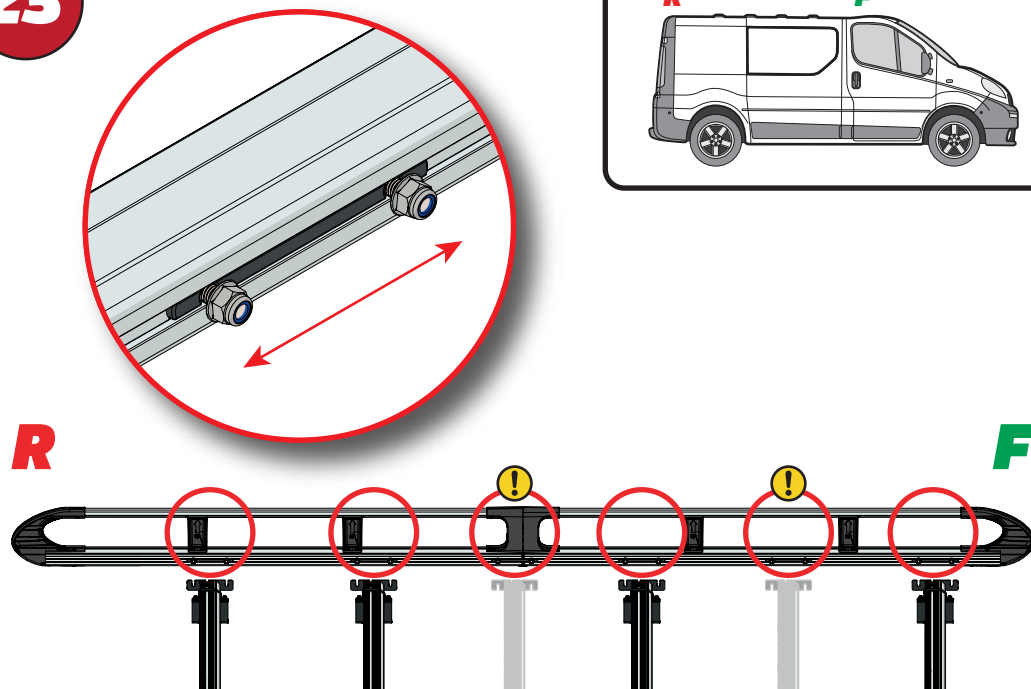
21



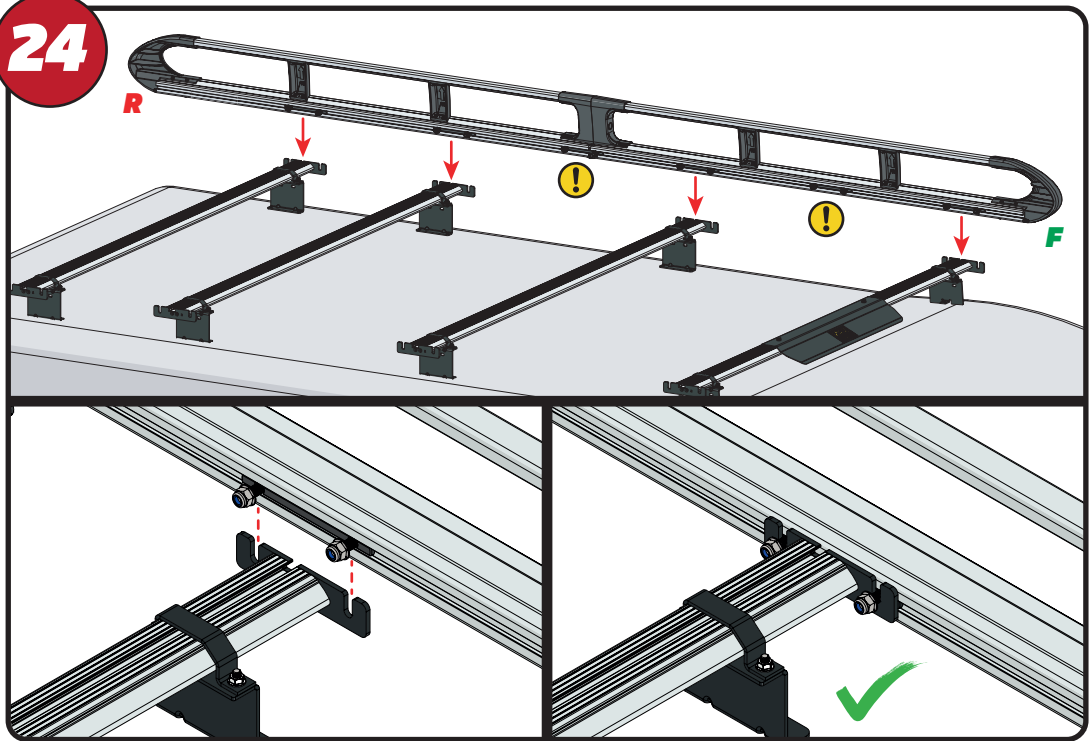
22



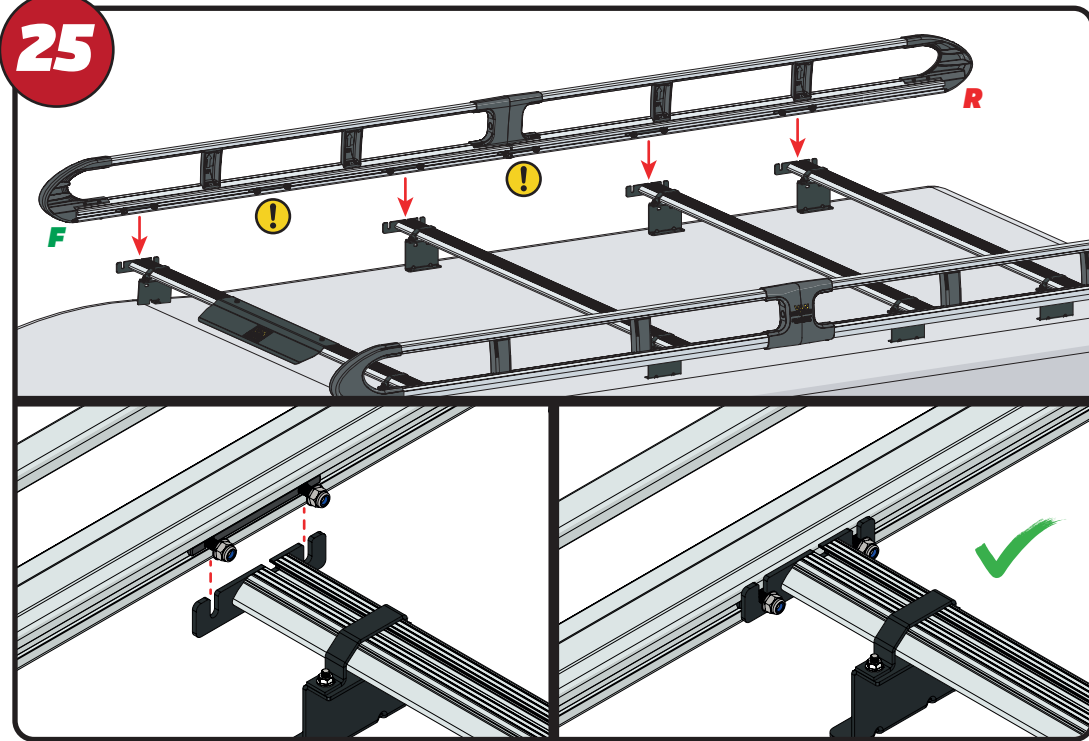
23



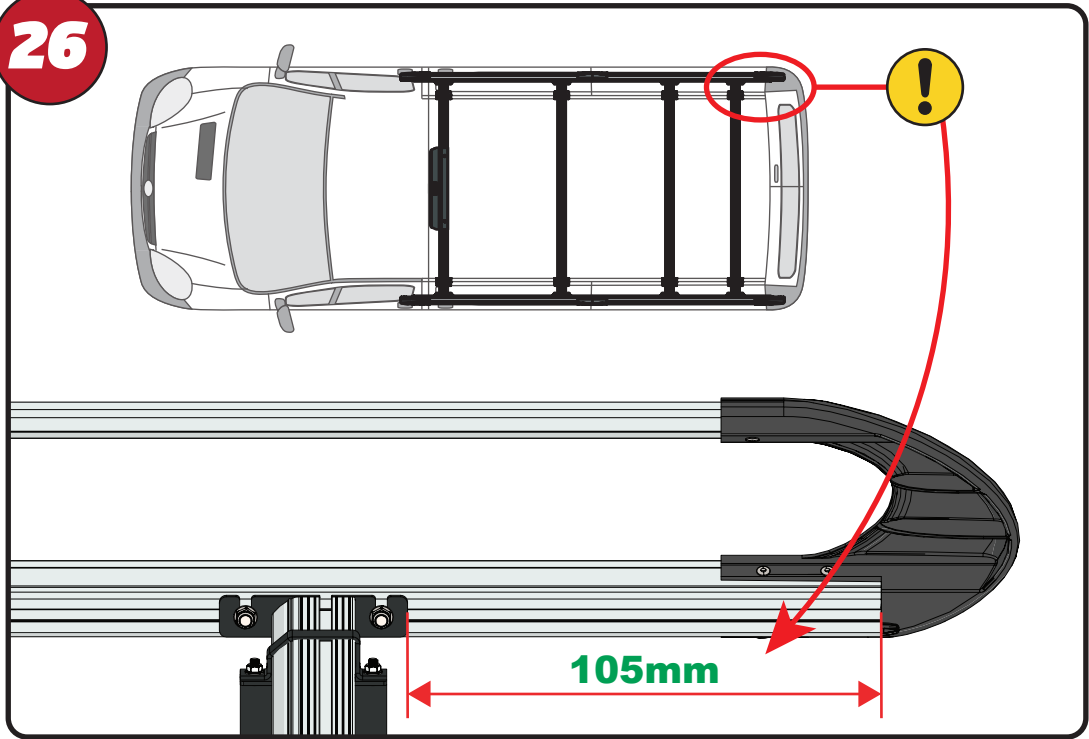
24



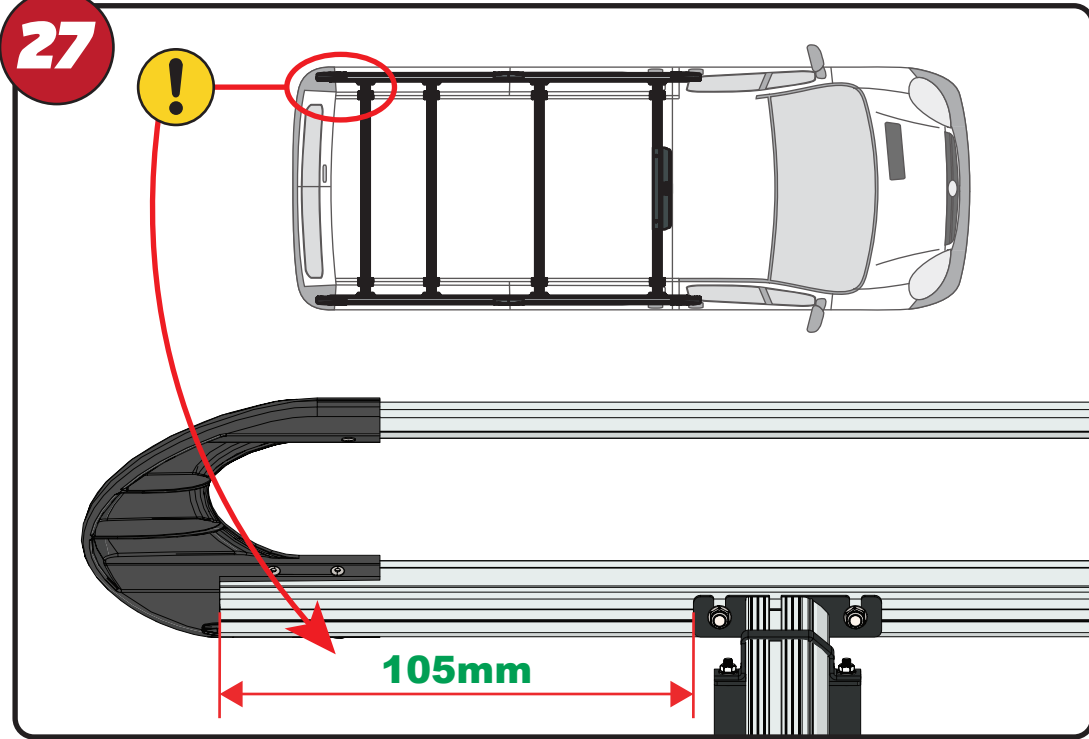
25

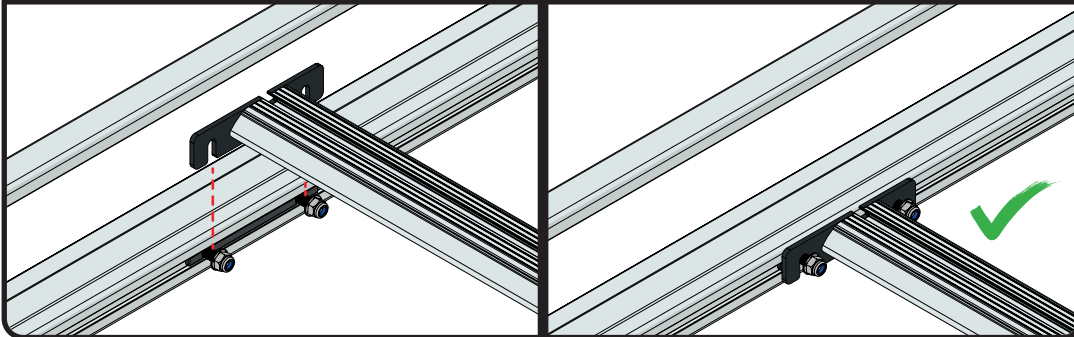
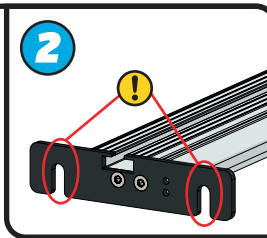
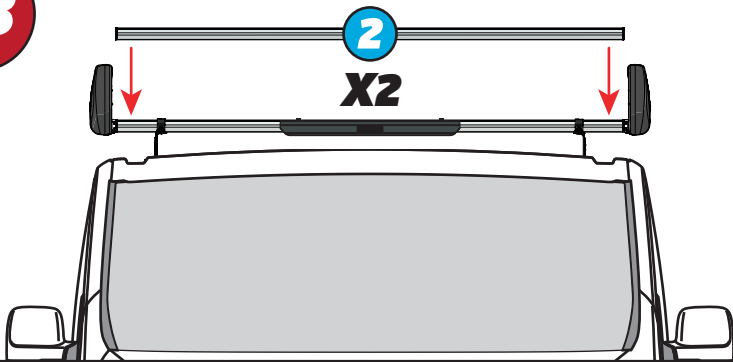


26

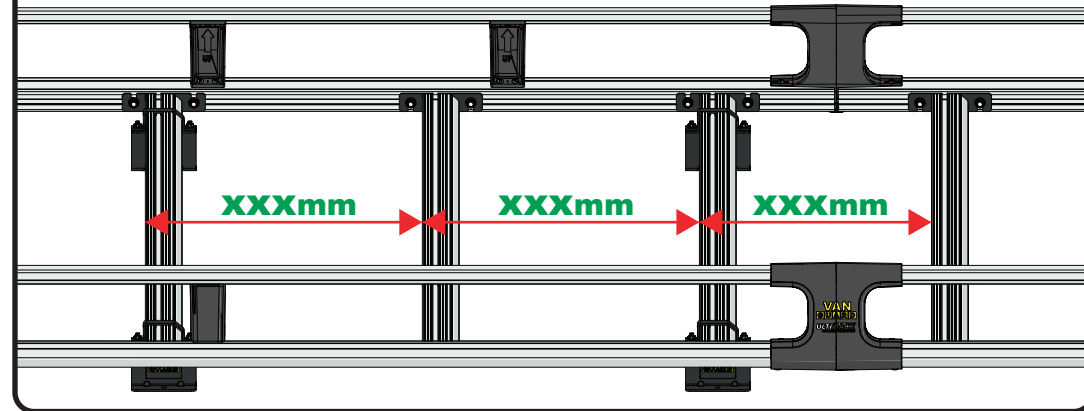
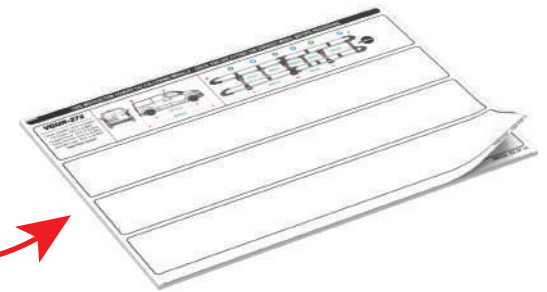
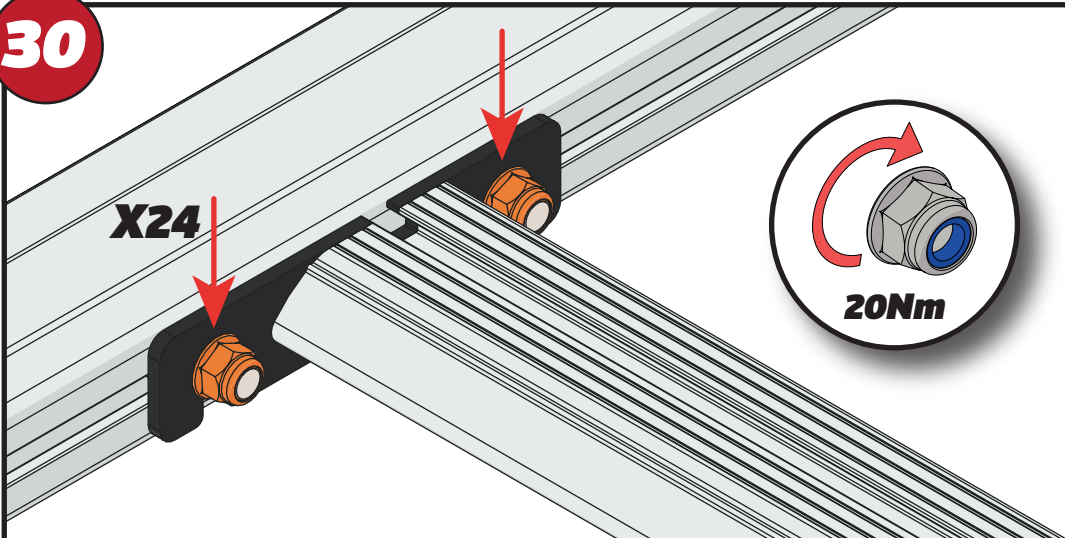


27



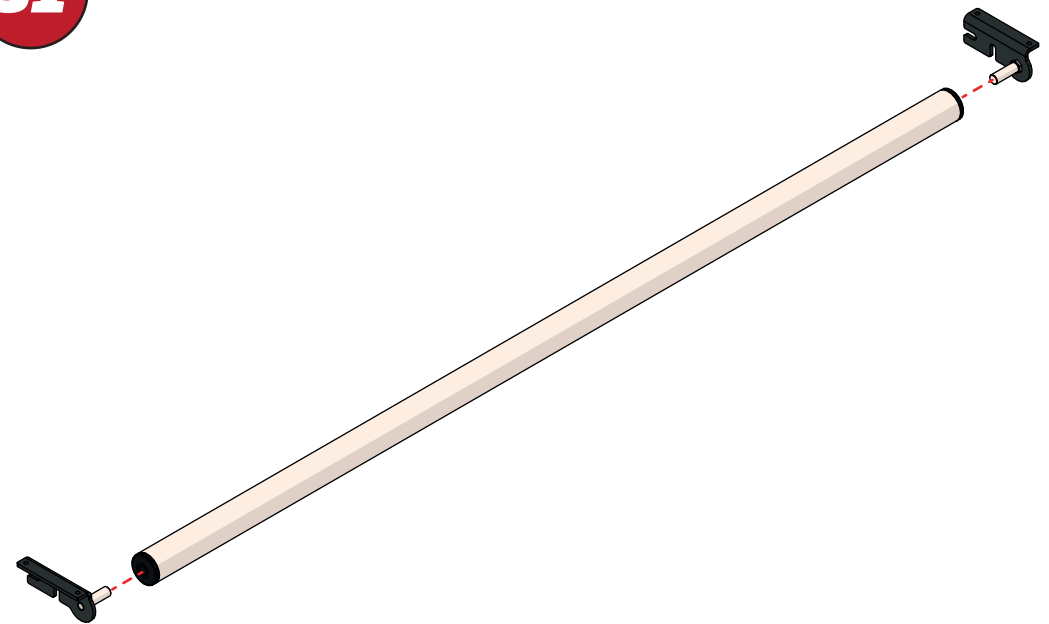
28**29**

XXX =
PAGE 2 OF 15

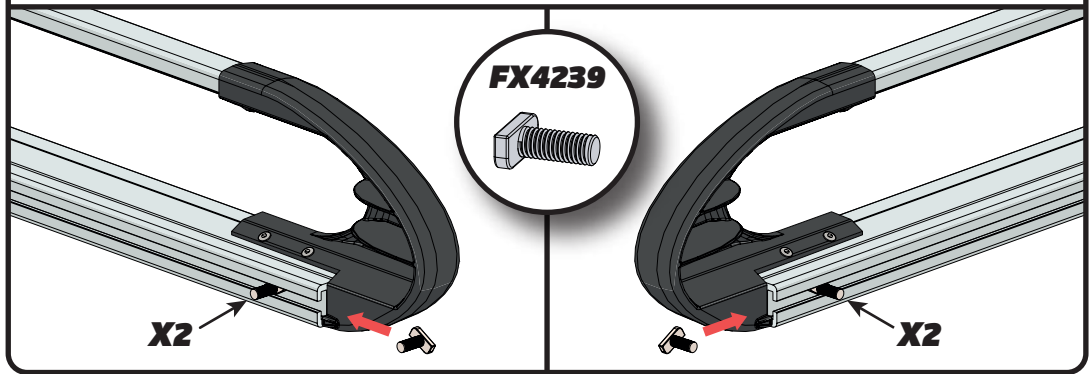
**30**

EN - TIGHTEN ALL OF THE CROSS BARS
 DE - ALLE QUERSTANGEN FESTZIEHEN
 FR - SERREZ TOUTES LES BARRES TRANSVERSALES
 NL - DRAAI ALLE DWARSBALK VAN HET DAK AAN
 ES - APRIETE TODAS LAS BARRAS TRANSVERSALES
 IT - STRINGERE TUTTE LE BARRE TRASVERSALI

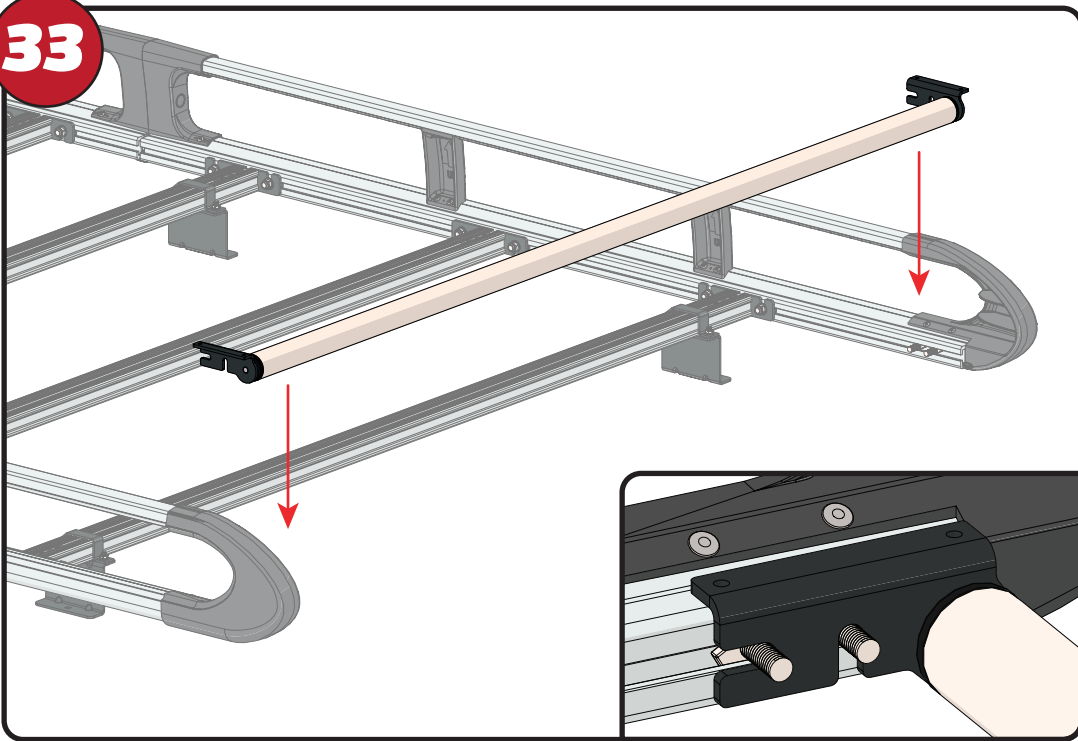
SV - SKRU UPP ALLA KORSSTANGAR
 DA - SKRU ALLE TAGBØJLER OP
 NO - SKRU OPP ALLE TVERRSTENGER
 PL - DOKRĘCIĆ WSZYSTKIE POPRZECZKI
 CS - VŠECHNY PŘÍČNÉ TYČE SEŠROUJTE

31

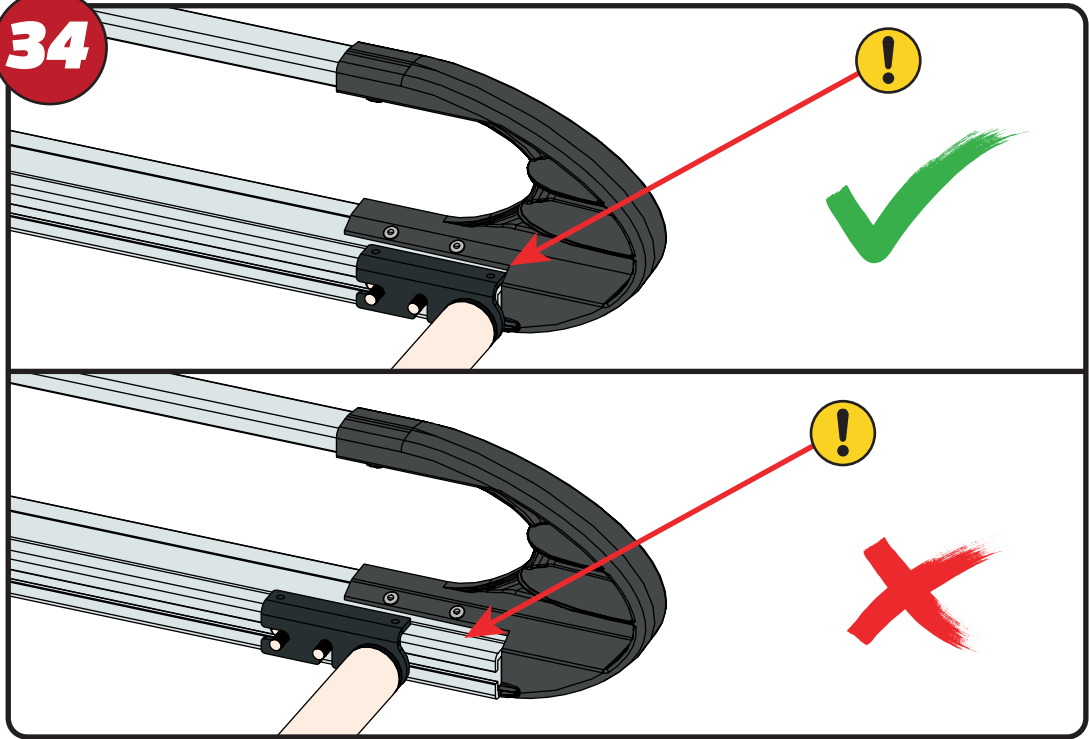
32



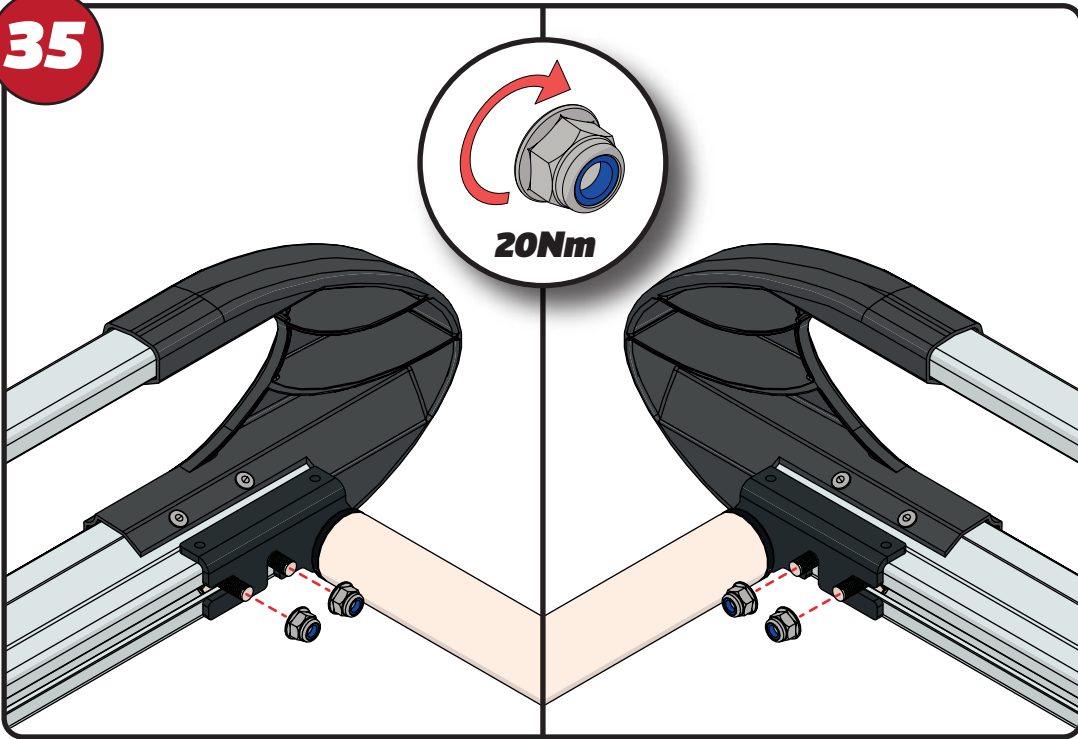
33



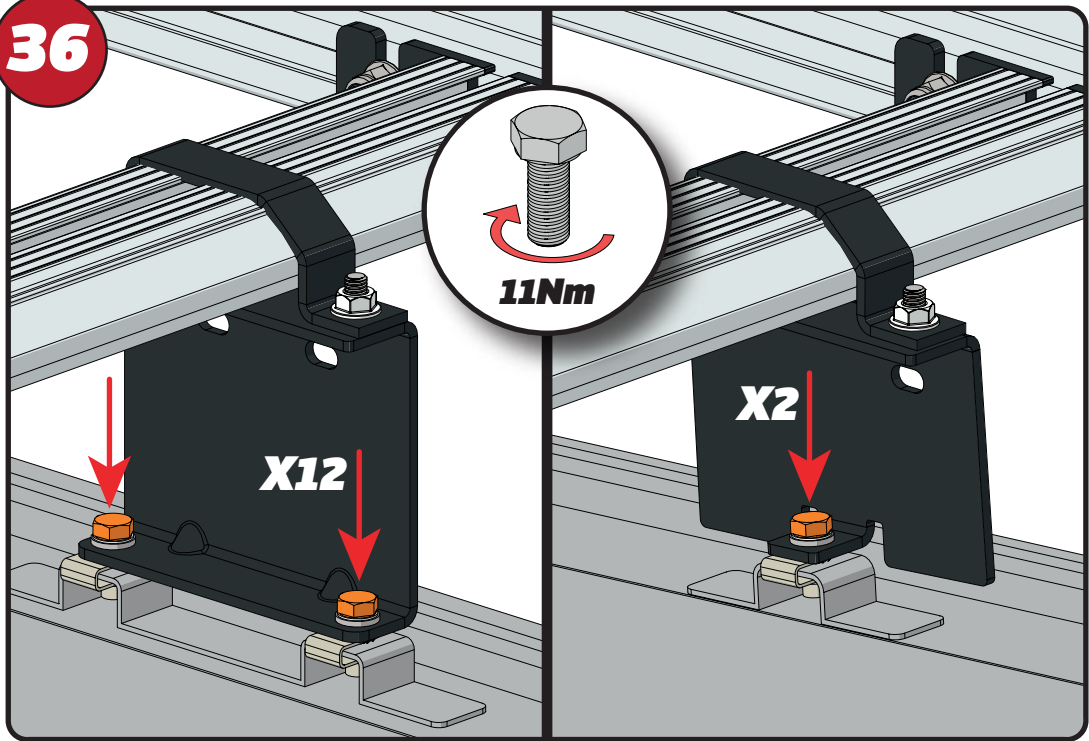
34



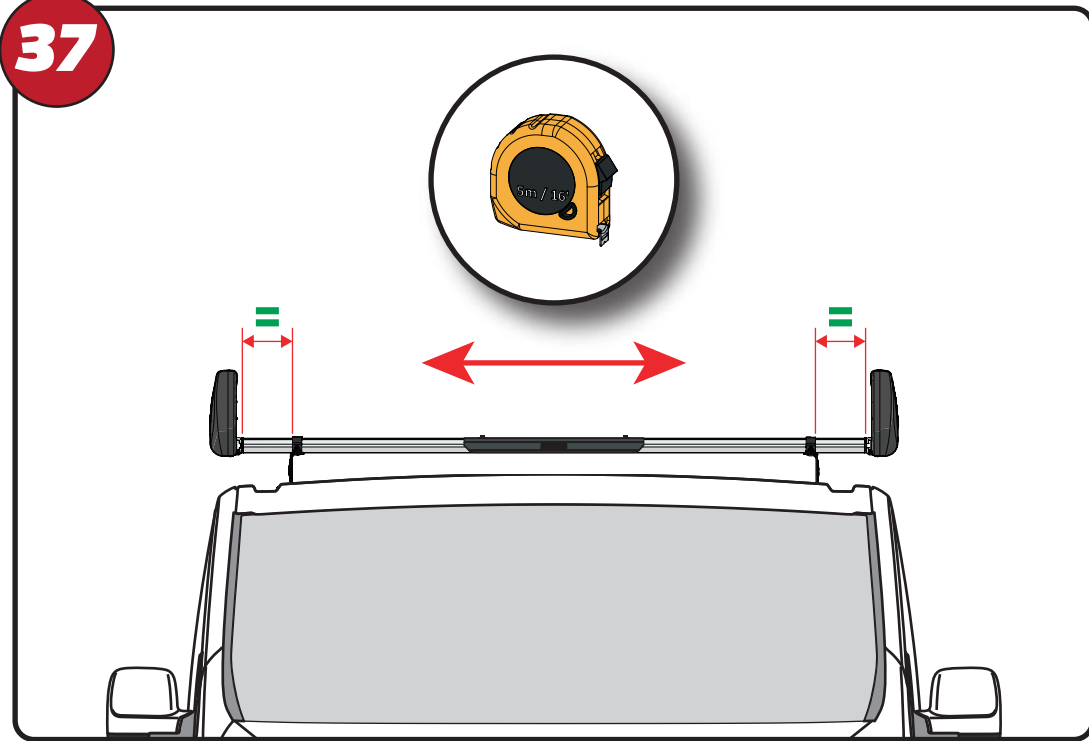
35



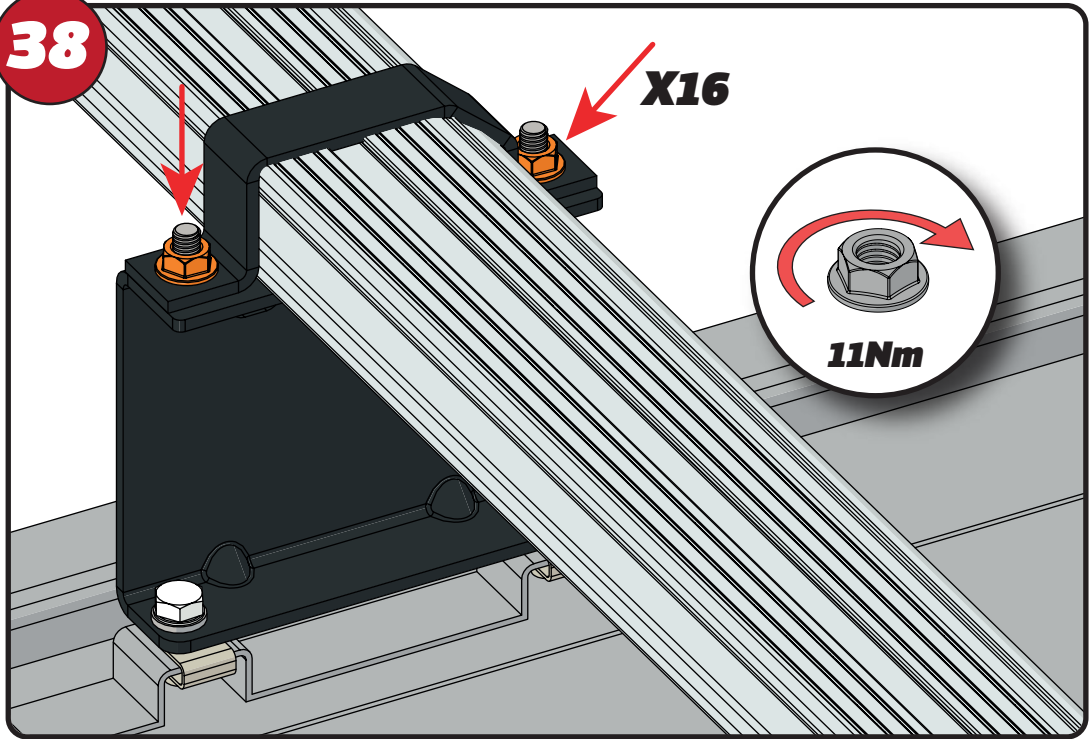
36



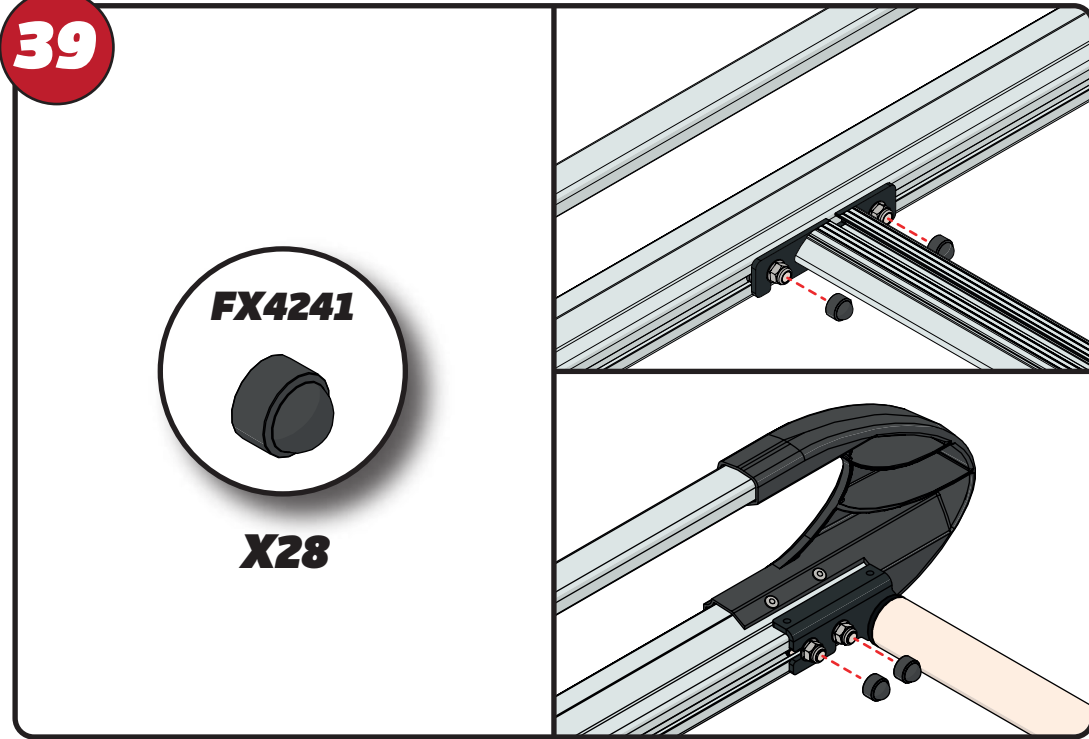
37



38

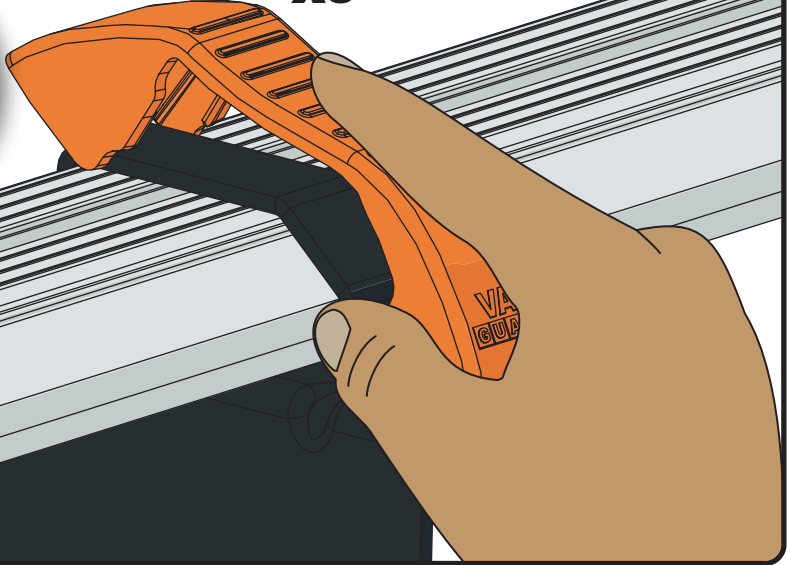


39



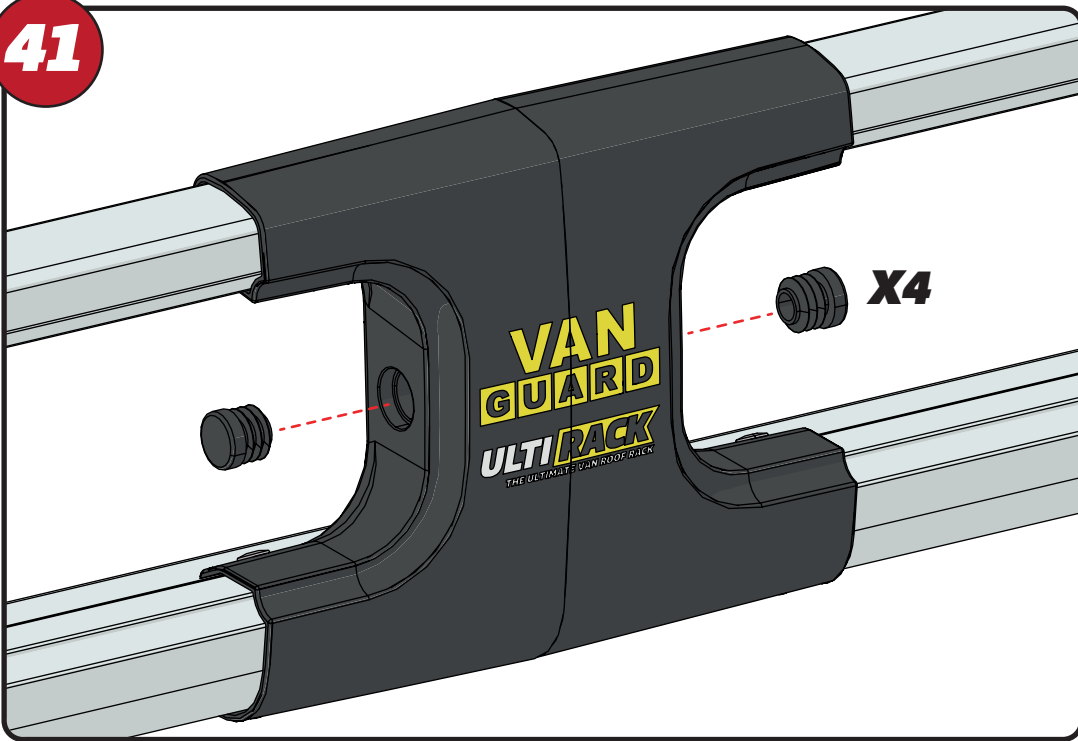
40

X8



41

X4

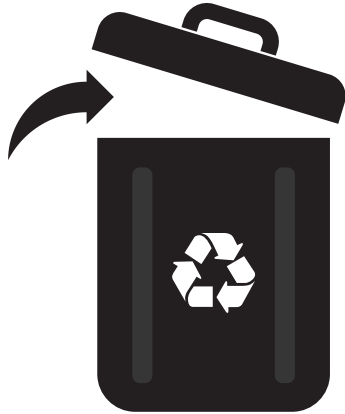
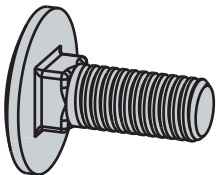


42

FX4016 X10
(M6)



FX4042 X10
(M6X16)



43

